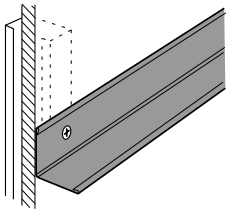
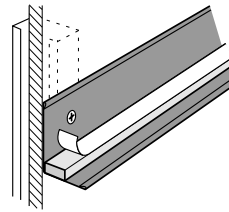
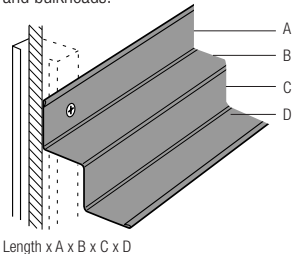




# Suspension Systems Accessories

Technical Service 800 USG.4YOU  
 Web Site [www.usg.com](http://www.usg.com)  
 Samples/Literature 888 874.2450  
 Samples/Literature Fax 888 874.2348  
 Customer Service 800 950.3839  
 Literature Number AC2396A

1. M7 and M9 available in color. For colors other than Flat White and Flat Black, packaging is 240 LF per carton.  
 2. MS154 and MS174 available in color. Packaging remains 300 LF per carton. With colors, only the exposed horizontal leg is painted the special color.

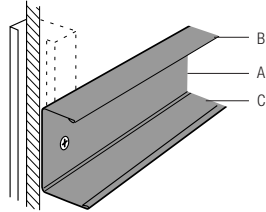
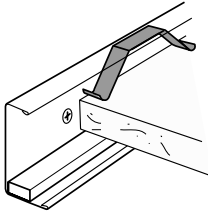
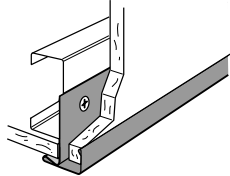
Moldings	Angle Molding	Angle Molding w/Gasket M12CE	Shadow Molding
	Use for standard ceiling perimeters.	Use in clean room applications with DOWN Brand CE Suspension System.	Useful for creating reveals at ceiling perimeters. Also helps to hide imperfections in drywall partitions and bulkheads.
			 Length x A x B x C x D

	Catalog Number	Description	Packaging/Ctn.		
			LF	Pcs.	Wt. (lbs.)
<b>Angle Molding</b>	M7 <sup>1</sup>	12' x 7/8" x 7/8" Wall Molding	480	40	63
	M7A	12' x 7/8" x 7/8" Aluminum Wall Molding	480	40	26
	M7-10	10' x 7/8" x 7/8" Wall Molding	400	40	26
	M7SS	12' x 7/8" x 7/8" Stainless Steel Wall Molding	240	20	31
	M7Z	12' x 7/8" x 7/8" Hot-Dipped Galvanized Steel Wall Molding	480	40	58
	M9 <sup>1</sup>	12' x 9/16" x 15/16" Wall Molding	480	40	55
	M9-10	10' x 9/16" x 15/16" Wall Molding	400	40	23
	M12	10' x 1" x 1 1/2" Wall Molding	250	25	63
	MC11A25	10' x 1" x 1" Aluminum Cap Wall Molding	250	25	39
	M12CE	10' x 1" x 1 1/2" Wall Molding w/ Gaskets High Gloss White	240	48	59
	M20	10' x 1" x 2" Wall Molding	250	25	55
	M20HD	10' x 1" x 2" Wall Molding (Heavy-Duty)	250	25	95
<b>Shadow Molding</b>	MS124	12' x 15/16" x 1/4" x 5/16" x 15/16" Shadow Molding	300	25	46
	MS134	12' x 9/16" x 5/16" x 1/4" x 3/4" Shadow Molding	300	25	37
	MS144	12' x 3/4" x 3/8" x 1/2" x 3/4" Shadow Molding	300	25	48
	MS154 <sup>2</sup>	12' x 7/8" x 3/4" x 3/4" x 7/8" Shadow Molding	300	25	67
	MS164	12' x 3/4" x 3/4" x 3/4" x 3/4" Shadow Molding	300	25	62
	MS174 <sup>2</sup>	12' x 1" x 3/8" x 3/8" x 9/16" Shadow Molding	300	25	43
		Shadow molding info to come			



# Suspension Systems Accessories

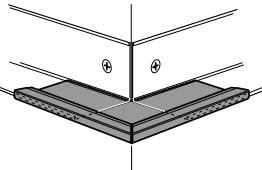
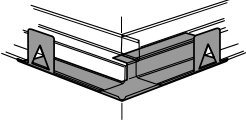
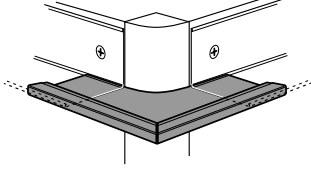
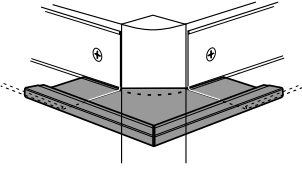
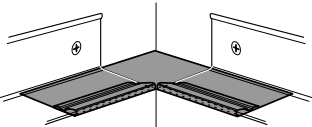
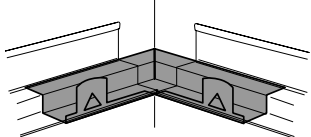
Technical Service 800 USG.4YOU  
 Web Site [www.usg.com](http://www.usg.com)  
 Samples/Literature 888 874.2450  
 Samples/Literature Fax 888 874.2348  
 Customer Service 800 950.3839  
 Literature Number AC2396A

Moldings	US Channel Wall Molding	US Channel Wall Molding w/Gasket US25CE	"F" Molding
	Use with C-8 clip to hold down perimeter ceiling tiles.	Use with C-8 clip in clean room application with DOWN® Brand CE Suspension System.	Use "F" Molding to create ceiling "breaks," soffits; changes in elevation.
	 <p>Length x A x B x C</p>		

	Catalog Number	Description	Packaging/Ctn.		
			LF	Pcs.	Wt. (lbs.)
<b>US Channel Wall Molding</b>	US8	10' x 1/2" x 1/2" x 1" U Molding	500	50	40
	US10	10' x 5/8" x 1/2" x 1" U Molding	500	50	42
	US12	10' x 3/4" x 1/2" x 1" U Molding	500	50	44
	US16	10' x 1" x 1/2" x 1" U Molding	500	50	48
	US19	10' x 1-3/16" x 1/2" x 1" U Molding	300	30	56
	US20	10' x 1-1/4" x 1/2" x 1" U Molding	300	30	57
	US22	10' x 1-3/8" x 1/2" x 1" U Molding	300	30	60
	US25	10' x 1-9/16" x 1/2" x 1" U Molding	300	30	63
	US31	10' 1-15/16" x 1/2" x 1" U Molding	300	30	70
	UA25	10' x 1-9/16" x 1/2" x 1" Aluminum U Wall Molding	300	30	33
	US25CE	10' x 1-9/16" x 1/2" x 1" U Molding w/ Gaskets High Gloss White	300	30	63
<b>"F" Molding</b>	MF8	10' x 1/2" F Molding (For 1/2" panels)	100	10	28
	MF10	10' x 5/8" F Molding (For 5/8" panels)	100	10	29

# Suspension Systems Accessories

Technical Service 800 USG.4YOU  
 Web Site [www.usg.com](http://www.usg.com)  
 Samples/Literature 888 874.2450  
 Samples/Literature Fax 888 874.2348  
 Customer Service 800 950.3839  
 Literature Number AC2396A

Molding Accessories	Square Molding Corner Clip JS	Outside Corner JS174	Radius Molding Corner Clip JH, JB
	Use with angle molding. 	Use with MS174 Shadow Molding. 	Use for radius or "bullnose" corners. 
	Field-modified Corner JM16 Cut out clip to fit field condition. 	Inside Corner Angle Mold A2 Use with angle molding. 	Prefabricated Inside Corner A174 Use with MS174 Shadow Molding. 

	Catalog Number	Description	Packaging/Ctn.	
			Pcs.	Wt. (lbs.)
<b>Outside Corners</b>	JS9	Square 90° Outside Corner Cap for 9/16" Molding	100	3
	JS14	Square 90° Outside Corner Cap for 7/8" Molding	100	3
	JS16	Square 90° Outside Corner Cap for 1" Molding	100	3
	JS174	Square 90° Outside Corner Cap for MS174 Shadow Molding	50	1.5
	JH9	1" Radius 90° Outside Corner Cap for 9/16" Molding	100	3
	JH12	1" Radius 90° Outside Corner Cap for 3/4" Molding	100	3
	JH14	1" Radius 90° Outside Corner Cap for 7/8" Molding	100	3
	JH15	1" Radius 90° Outside Corner Cap for 15/16" Molding	100	3
	JH16	1" Radius 90° Outside Corner Cap for 1" Molding	100	3
	JB14	3/4" Radius 90° Outside Corner Cap for 7/8" Molding	100	3
	JB16	3/4" Radius 90° Outside Corner Cap for 1" Molding	100	3
	JM16	Field-modified Corner for 1" Molding	100	3
<b>Inside Corners</b>	A2	Inside Corner Cap for 7/8" Molding	200	4
	A174	Inside Corner Cap for MS174 Shadow Molding	50	1.5


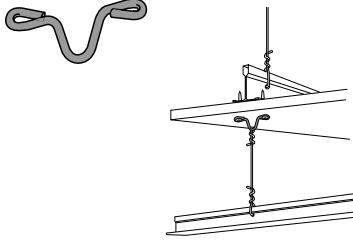
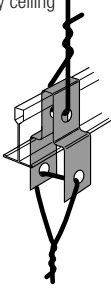
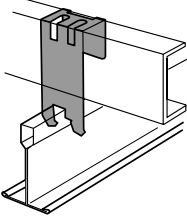
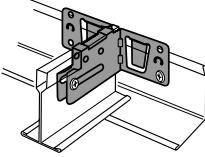


# Suspension Systems Accessories

Technical Service 800 USG.4YOU  
 Web Site www.usg.com  
 Samples/Literature 888 874.2450  
 Samples/Literature Fax 888 874.2348  
 Customer Service 800 950.3839  
 Literature Number AC2396A

**Notes**

For special lengths, contact your Customer Relations Representative. Hanger wire complies with Federal Specification QA-W-461H.

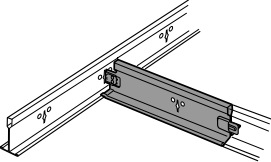
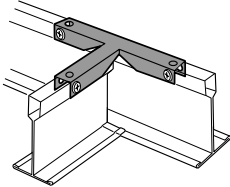
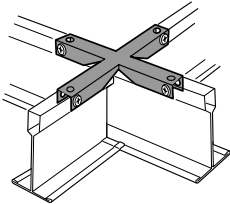
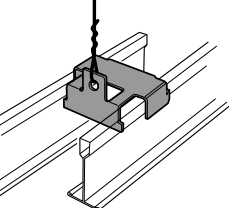
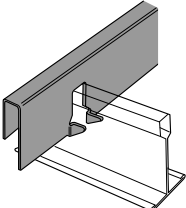
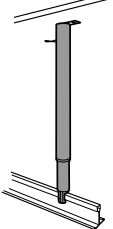
<b>Grid Installation Accessories</b>	<b>Galvanized Hanger Wire</b> A Use to suspend acoustical ceilings. Also use for flat and curved USG Drywall Suspension System. 	<b>Drywall Grid Hanger Clip</b> B Use to suspend secondary ceiling. 	<b>Grid Load Transfer Bracket</b> C Use to suspend secondary ceiling 
	<b>Furring Clip for Grid to Channel</b> D Use to connect grid to 1-1/2" channel. 	<b>Attachment Clip for DX to Wall Angle</b> E Used to attach grid at perimeter to avoid the use of pop rivets. 	

	Catalog Number	Description	Packaging/Ctn.		Detail Key
			Pcs.	Wt. (lbs.)	
<b>Galvanized Hanger Wire</b> Consult Customer Service for available lengths in your area.	215109	12-Gauge Wrapped 12 ft.; 50 lb. bundle	140	50	A
	217128	12-Gauge Wrapped 12 ft.; 36 lb. bundle	100	36	A
	217268	12-Gauge Wrapped 16 ft.	100	48	A
	DGHC	Drywall Grid Hanger Clip	100	1.5	B
<b>Grid to Primary Support</b>	256860	Grid Load Transfer Bracket, 15/16" grid	250	13	C
	256861	Grid Load Transfer Bracket, 9/16" grid	250	13	C
	256862	Grid Load Transfer Bracket, 1-1/2" grid	250	13	C
	V-14	Furring Clip for Grid to Channel	500	45	D
<b>Grid to Molding</b>	AC-M7	Attachment Clip for DX to Wall Angle	100	7	E



# Suspension Systems Accessories

Technical Service 800 USG.4YOU  
 Web Site [www.usg.com](http://www.usg.com)  
 Samples/Literature 888 874.2450  
 Samples/Literature Fax 888 874.2348  
 Customer Service 800 950.3839  
 Literature Number AC2396A

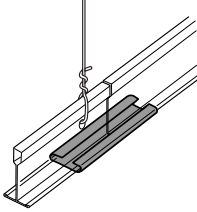
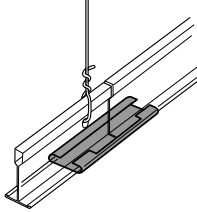
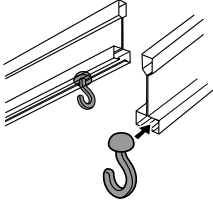
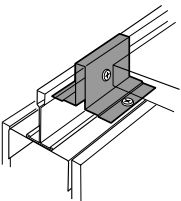
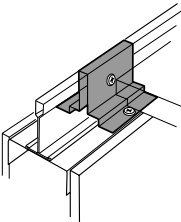
Grid Installation Accessories	MT/CT Converter F	3-Way Off Module Connector G	4-Way Off Module Connector H
	<p>Converter changes main tee direction 90° from adjacent main tee.</p> 	<p>Use with cross tees and main tees that are the same height.</p> 	<p>Use with cross tees and main tees that are the same height.</p> 
	Paired Main Tee Clip I	Stabilizer Bar J	Seismic Compression Post K
	<p>Use for linear air diffusers; use only with DX®/DXL™, DXLA™, ZXLA™, FINELINE® (DXF), and FINELINE 1/8 (DXFF).</p> 	<p>Use to stabilize grid installation without cross tees.</p> 	<p>See Compression Post Technical Data Sheet #AC275. Listed with ICBO Report #2244.</p> 

	Catalog Number	Description	Packaging/Ctn.			Detail Key
			LF	Pcs.	Wt. (lbs.)	
<b>Tee to Tee</b>	DXMT/CT	9" x 1-1/2" MT/CT Converter, changes MT direction		75	13	F
	DH3	3-Way Off Module Connector		100	3	G
	DH4	4-Way Off Module Connector		100	4	H
	V-32	Paired Main Tee Clip (2" separation center to center)		100	3	I
<b>Stabilizer Bars</b>	SB12	18 Stabilizer Bar	200	200	27	J
	SB24	2' Stabilizer Bar	400	200	52	J
	SB36	3' Stabilizer Bar	300	100	40	J
	SB48	4' Stabilizer Bar	400	100	50	J
	SB48-24	4' Stabilizer Bar notched 2' on center	400	100	50	J
	SB60	5' Stabilizer Bar	500	100	64	J
	CC15-4-2	4' Stabilizer Bar notched 2' on center	200	50	27	J
<b>Seismic Compression Posts</b>	VSA18/30	Adjustable 18" to 30"		1	2.0	K
	VSA30/48	Adjustable 30" to 48"		1	2.5	K
	VSA48/84	Adjustable 48" to 84"		1	4.5	K
	VSA84/102	Adjustable 84" to 102"		1	7.5	K



# Suspension Systems Accessories

Technical Service 800 USG.4YOU  
 Web Site www.usg.com  
 Samples/Literature 888 874.2450  
 Samples/Literature Fax 888 874.2348  
 Customer Service 800 950.3839  
 Literature Number AC2396A

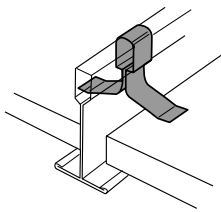
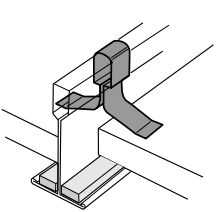
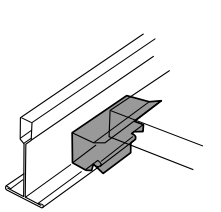
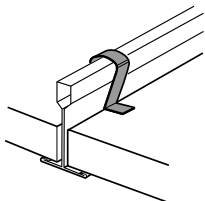
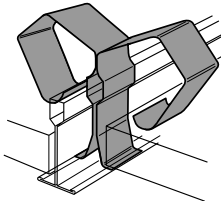
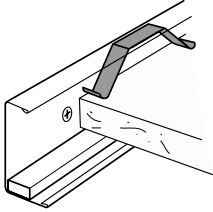
<b>Grid Installation Accessories</b>	<b>Tee Face Sleeve</b> L Use to cut in tees to existing system. 	<b>Tee Face Cover</b> M Use to cut in tees and to cover damage from partition attachment. 	<b>Accessory Hanger Hook</b> N Remove top clip for use with standard 1/4" FINELINE Suspension System. 
	<b>Partition Attachment Clip</b> O1 Use for square-edge panels. 	<b>Partition Attachment Clip</b> O2 Use with reveal-edge panels. 	

	Catalog Number	Description	Packaging/Ctn.			Detail Key
			LF	Pcs.	Wt. (lbs.)	
<b>Tee Accessories</b>	TFS-1	Tee Face Sleeve (3" long)		250	10	L
	TFC-1	Tee Face Cover (2" long)		100	1	M
	AH1	Accessory Hanger Hook (white injection molded)		50	1	N
<b>Partition Attachment</b>	PAC15-SQ	Partition Clip for 15/16" or 9/16" SQ panels (245339)		100	8	O1
	PAC15-SL	Partition Clip for 15/16" SL panels (254340)		100	8	O2
	PAC 9-FL	Partition Clip for 9/16" FL panels (254341)		100	8	O2



# Suspension Systems Accessories

Technical Service 800 USG.4YOU  
 Web Site [www.usg.com](http://www.usg.com)  
 Samples/Literature 888 874.2450  
 Samples/Literature Fax 888 874.2348  
 Customer Service 800 950.3839  
 Literature Number AC2396A

Grid Installation Accessories	Hold Down Clip—Fire-Rated Grid P1	Hold Down Clip P2	Accessible Hold Down Clip Q
	<p>Used when required in some fire-rated assemblies.</p> 	<p>Use to maintain a clean room seal with Down Brand CE Suspension System.</p> 	<p>Use as a hold down clip for 5/8" panels. Provides ready accessibility.</p> 
	<p><b>Variable Hold Down Clip</b> R</p> <p>Use for 5/16" to 3/4" panels.</p> 	<p><b>Panel Retention Clip 20428</b> S</p> <p>Use with 1-1/2" high cross tees (i.e., DX422 and DX424). Use one per Rock Face® ceiling panel.</p> 	<p><b>Wall Spring Clip</b> T</p> <p>Use to hold down perimeter ceiling panels. Useful for maintaining clean room seal with US25CE molding.</p> 

	Catalog Number	Description	Packaging/Ctn.			Detail Key
			LF	Pcs.	Wt. (lbs.)	
<b>Hold Down Clips</b>	L15	Hold Down Clip—for 5/8" fire-rated panels		1000	7	P1
	L15CE	Hold Down Clip—for panels in clean room applications		500	3.5	P2
	L45	Accessible Hold Down Clip for 5/8" panels		1000	15	Q
	V15	Variable Hold Down Clip		1000	8	R
	730600	Panel Retention Clip (20428)		200	15	S
	C-8	Wall Spring Clip		2000	29	T
	C-8CE	Wall Spring Clip		500	8	T

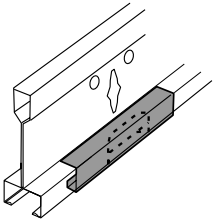
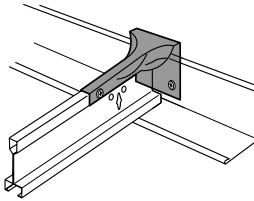
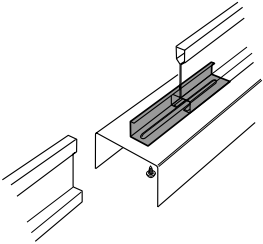
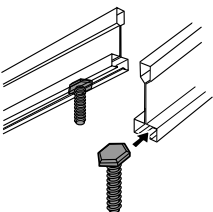
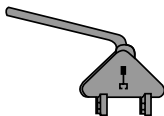


# Suspension Systems Accessories

Technical Service 800.USG.4YOU  
 Web Site www.usg.com  
 Samples/Literature 888.874.2450  
 Samples/Literature Fax 888.874.2348  
 Customer Service 800.950.3839  
 Literature Number AC2396A

**Notes**

C-8CE is the same clip in smaller quantity.

Grid Installation Accessories	Miter Closure Clip for FINELINE V	Molding Attachment Clip for FINELINE W	Partition Attachment Clip X
	Use for closing off unused miters. 	Use to attach FINELINE tees to angle molding and shadow molding. 	Use to screw-attach ceiling high partitions. 
<b>T-Bolt</b> Y	<b>FINELINE Cut Off Die</b> Z		
Use to bolt-attach partitions, signage, or pendant-mounted indirect lighting. 	Use to field cut FINELINE Tees. 		

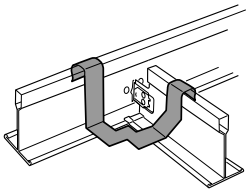
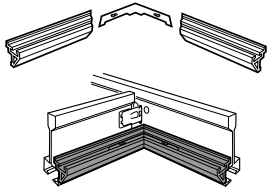
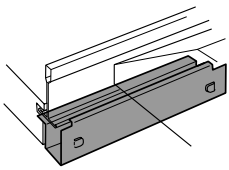
FINELINE Accessories	Catalog Number	Description	Packaging/Ctn.		Detail Key
			Pcs.	Wt. (lbs.)	
	MCC3	2" Miter Closure Clip for 1/8" FINELINE Suspension System	50	1	V
	MCC2	2" Miter Closure Clip for standard FINELINE Suspension System	50	1	V
	MAC2	Molding Attachment Clip for FINELINE Suspension System	100	3	W
	PAC1	3" Partition Attachment Clip	50	1	X
	TB1	1" x 1/4" - 20 T-Bolt	100	1	Y
	FC1	FINELINE Suspension System Cut Off Die (scaffold mount)	1	10	Z

# Suspension Systems Accessories

Technical Service 800 USG.4YOU  
 Web Site [www.usg.com](http://www.usg.com)  
 Samples/Literature 888 874.2450  
 Samples/Literature Fax 888 874.2348  
 Customer Service 800 950.3839  
 Literature Number AC2396A

**Notes**

An assembly consists of 1 plenum and 1 frame, one assembly per carton. Frame color is Flat White. For more information on color finishes contact your Customer Relations Representative.

Light Fixture Accessories	Light Fixture Clip	Vinyl Light Frame	Metal End Piece
	For CENTRICITEE™ Suspension System; use black clips with parabolic fixtures. Cross tee must be connected to main tee.	Use to add light fixture support to FINELINE and CENTRICITEE suspension systems.	Use with concealed suspension systems.
			

	Catalog Number	Description	Packaging/Ctn.	
			Pcs.	Wt. (lbs.)
<b>Light Fixture Clip</b>	LFC	Light Fixture Clip (Specify Flat White or Flat Black)	100	2
<b>Light Frames</b> Recommended with NEMA "G" fixtures.	LF14	1' x 4' Vinyl Light Frame (Flat White Only), FINELINE Suspension System	25	8
	LF22	2' x 2' Vinyl Light Frame (Flat White Only), FINELINE Suspension System	25	7
	LF24	2' x 4' Vinyl Light Frame (Flat White Only), FINELINE Suspension System	25	10
	LF3030	30" x 30" Vinyl Light Frame (Flat White Only), FINELINE Suspension System	25	9
	MLF14	1' x 4' Vinyl Light Frame (Flat White Only), CENTRICITEE Suspension System	25	8
	MLF22	2' x 2' Vinyl Light Frame (Flat White Only), CENTRICITEE Suspension System	25	7
	MLF24	2' x 4' Vinyl Light Frame (Flat White Only), CENTRICITEE Suspension System	25	10
	MLF3030	30" x 30" Vinyl Light Frame (Flat White Only), CENTRICITEE Suspension System	25	9
	ME12	12" Light Frame Metal End Piece	50	7
	ME24	24" Light Frame Metal End Piece	50	7
	ME48	48" Light Frame Metal End Piece	50	7
	MS24	23" Light Frame Metal Side Piece	50	7
	MS47	47" Light Frame Metal Side Piece	50	13

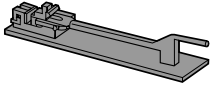
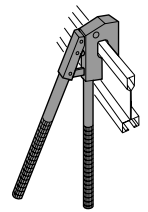
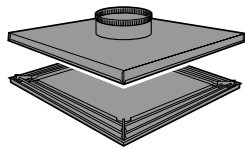


# Suspension Systems Accessories

Technical Service 800 USG.4YOU  
 Web Site [www.usg.com](http://www.usg.com)  
 Samples/Literature 888 874.2450  
 Samples/Literature Fax 888 874.2348  
 Customer Service 800 950.3839  
 Literature Number AC2396A

**Notes**

- \* One carton contains six 12 oz. cans.
- Paints will not be shipped air freight.
- \*\* Specify color number from price list.

Miscellaneous Accessories	Universal Field Cross Tee Hole Punch	Hand-Held Field Punch	Air Diffuser
	For all DONN Brand Suspension Systems.	For all DONN Brand Suspension Systems.	Field cut foil-backed ceiling tile to fit diffuser face. Use with FINELINE and CENTRICITEE suspension systems.
			

	Catalog Number	Description	Packaging/Ctn.	
			Pcs.	Wt. (lbs.)
<b>Cross Tee Hole Punches</b>	215738	Universal Field Cross Tee Hole Punch	1	30
	276063	Hand-Held Universal Cross Tee Hole Punch	1	5
	204755	Replacement Die Block for Field Die	1	1
	276759	Replacement Hand Held Die Block for Field Die	1	1
	214418	Replacement Punch for Field Die	1	1
	276760	Replacement Hand Held Punch for Field Die	1	1
<b>Touch-Up Paint</b>	B12	Flat Black Spray Paint (205)*	6	7
	B13	Flat White Spray Paint (050)*	6	7
	PC15 GAL	Standard Gallon**	1	12
	PC16 QT	Standard Quart**	1	3
	PC19 GAL	Custom Gallon	1	12
	PC20 QT	Custom Quart	1	3
<b>Air Diffusers</b> Recommended for use with 9/16" systems.	AD16	2' x 2' 1 Slot with 6" Collar	1	7
	AD18	2' x 2' 1 Slot with 8" Collar	1	7
	AD26	2' x 2' 2 Slot with 6" Collar	1	8
	AD28	2' x 2' 2 Slot with 8" Collar	1	8
	AD38	2' x 2' 3 Slot with 8" Collar	1	8
	AD310	2' x 2' 3 Slot with 10" Collar	1	9
	AD410	2' x 2' 4 Slot with 10" Collar	1	10
	AD412	2' x 2' 4 Slot with 12" Collar	1	10